

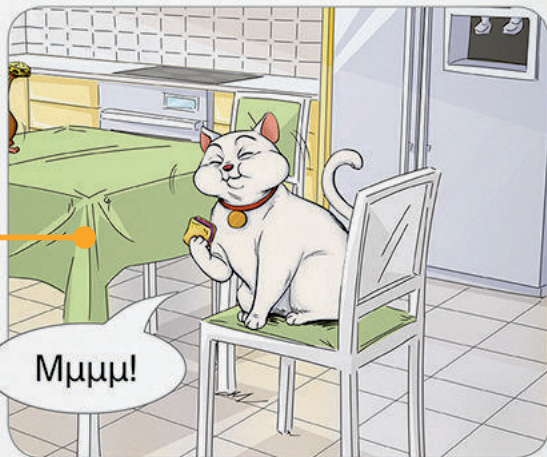
1

1 Listen, Point and Say.

Μμ

Μ μ

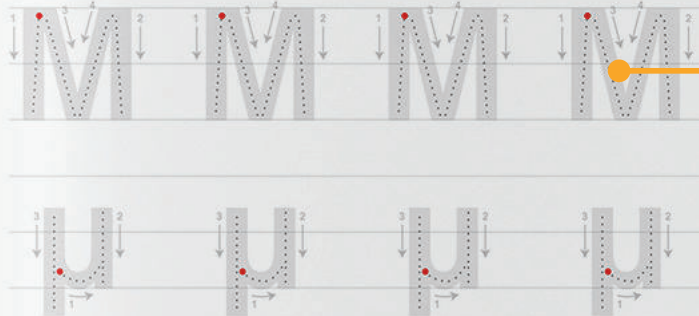
μ μ μ μ



2 Trace.

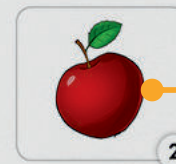


Μμ



3 Listen and Say.

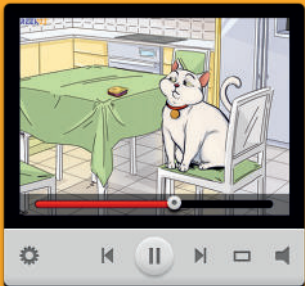
Μμ



Letter introduction



Our lovable cat Rita helps kids say letters correctly



Letter writing practice



Listening and speaking practice exercise



Follow along with audio program

4 Listen and Circle.

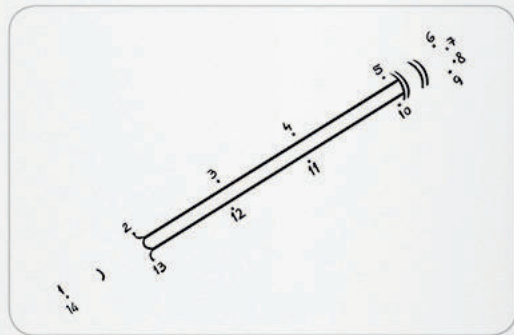


Μμ

|    |    |
|----|----|
| 1. | 2. |
| 3. | 4. |

5 Play - Connect the dots and Say.

Μμ



6 Point and Say.

Μμ



γεια



μαμά

Speaking practice

7 Talk - Listen and Say.

Μμ

Teachers explain to students that "γεια" means both "hello" and "goodbye". Students listen to the dialogue. Then they act it out replacing the word "Μαμά" in pink with their own names.



- Mom!  
- Hi, Mom!

- Hi



Speaking practice with talk exercise - Also animated video

